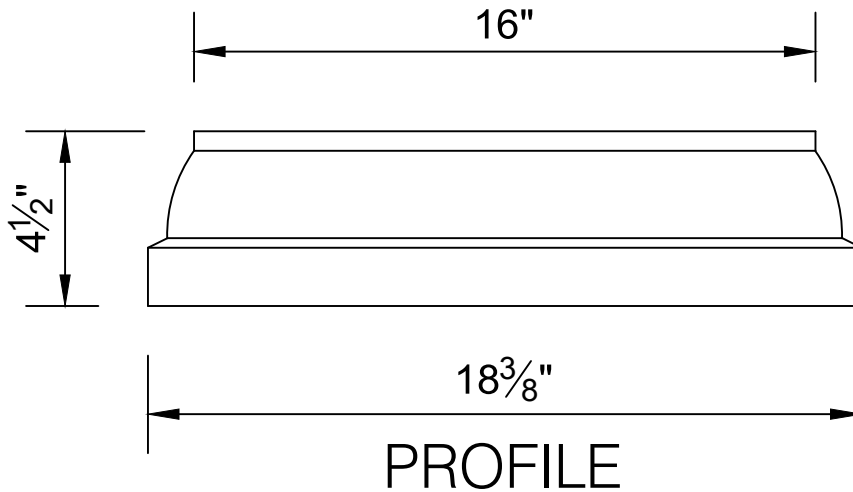


FREE STANDING  
(STD)



PIECE ID	QUANTITY
NBAS-STD	

COLOR: \_\_\_\_\_

**ICS TOLERANCE: ±.125**

SHOP DRAWING(S) STATUS (CHECK ONE)

RESUBMIT FOR APPROVAL:

APPROVED W/ MODIFICATIONS:

APPROVED

\_\_\_\_\_  
SIGNATURE                      DATE

\_\_\_\_\_  
PRINTED NAME

DATE:

PROJECT:

CONTRACTOR:



650 W MARKET STREET  
SPENCER, IN 47460

(812) 718 - CAST(2278)

[jim@indianacaststone.com](mailto:jim@indianacaststone.com)

[www.indianacaststone.com](http://www.indianacaststone.com)

DRAWN BY:

CHECKED BY:

SHEET NO.

**ICS**  
1 OF 1