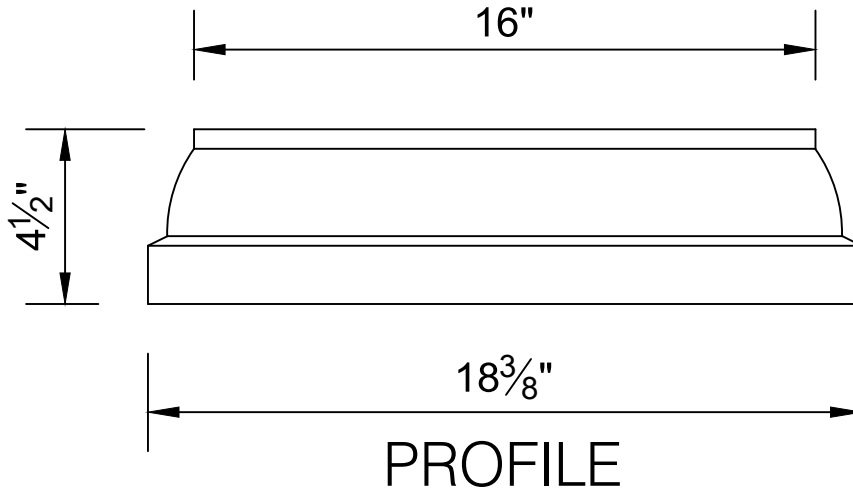


END
(E)



16"

4 1/2"

18 3/8"

PROFILE

PIECE ID	QUANTITY
NBAS-E	

COLOR: _____

ICS TOLERANCE: ±.125

SHOP DRAWING(S) STATUS (CHECK ONE)

RESUBMIT FOR APPROVAL:

APPROVED W/ MODIFICATIONS:

APPROVED

SIGNATURE

DATE

PRINTED NAME

DATE:

PROJECT:

CONTRACTOR:



650 W MARKET STREET
SPENCER, IN 47460

(812) 718 - CAST(2278)

jim@indianacaststone.com

www.indianacaststone.com

DRAWN BY:

CHECKED BY:

SHEET NO.

ICS
1 OF 1