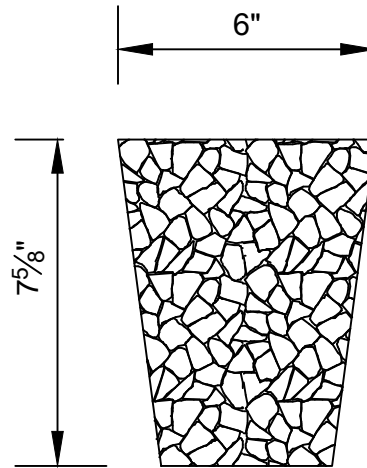


PROFILE



FRONT

PIECE ID	QUANTITY
IND-KEY3RF	

COLOR: \_\_\_\_\_

**ICS TOLERANCE: ±.125**

SHOP DRAWING(S) STATUS (CHECK ONE)

RESUBMIT FOR APPROVAL:

APPROVED W/ MODIFICATIONS:

APPROVED

\_\_\_\_\_  
SIGNATURE

\_\_\_\_\_  
DATE

\_\_\_\_\_  
PRINTED NAME

DATE:

PROJECT:

CONTRACTOR:



650 W MARKET STREET  
SPENCER, IN 47460

(812) 718 - CAST(2278)

jim@indianacaststone.com

www.indianacaststone.com

DRAWN BY:

CHECKED BY:

SHEET NO.

**ICS**  
1 OF 1