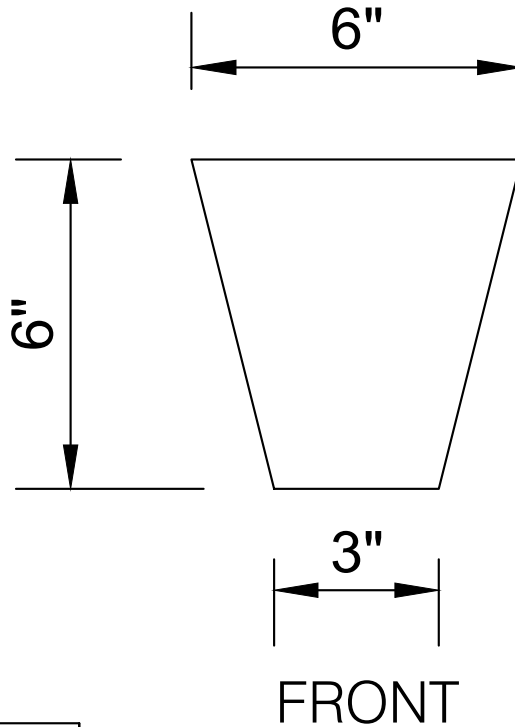
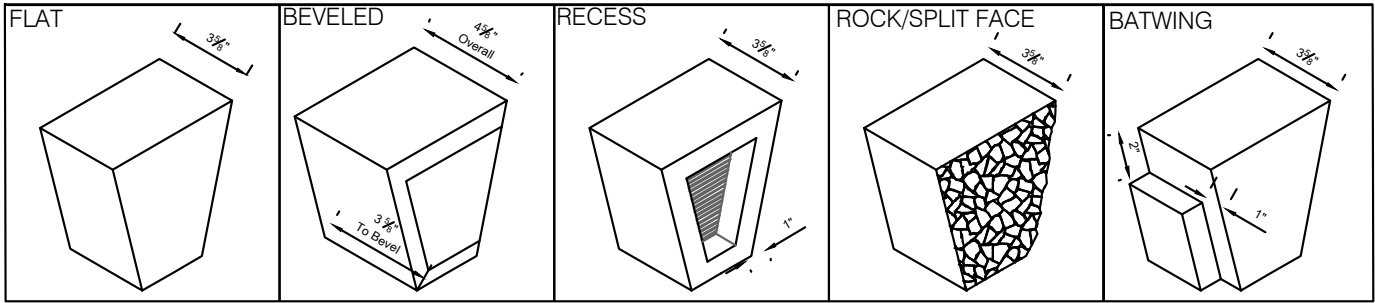


AVAILABLE PROFILES



PIECE ID	QUANTITY
IND-BULL	

COLOR: _____

ICS TOLERANCE: ±.125

SHOP DRAWING(S) STATUS (CHECK ONE)	
RESUBMIT FOR APPROVAL:	<input type="checkbox"/>
APPROVED W/ MODIFICATIONS:	<input type="checkbox"/>
APPROVED	<input type="checkbox"/>

SIGNATURE DATE

PRINTED NAME

DATE:

PROJECT:

CONTRACTOR:



650 W MARKET STREET
SPENCER, IN 47460

(812) 718 - CAST(2278)

jim@indianacaststone.com

www.indianacaststone.com

DRAWN BY:

CHECKED BY:

SHEET NO.

ICS
1 OF 1