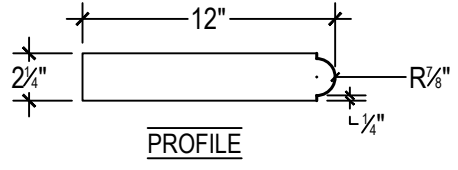
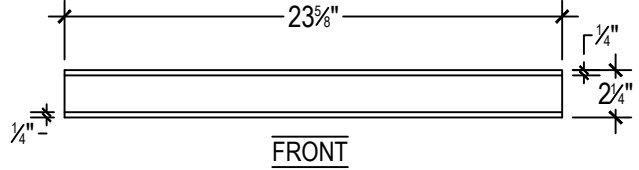
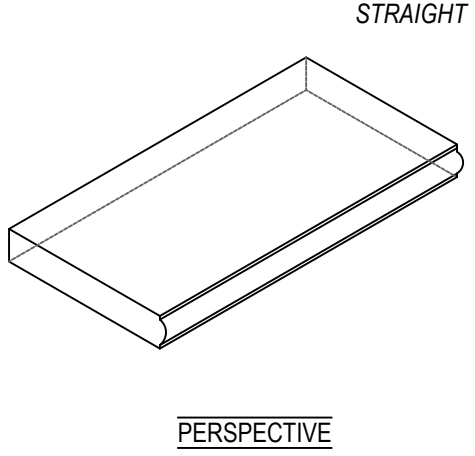
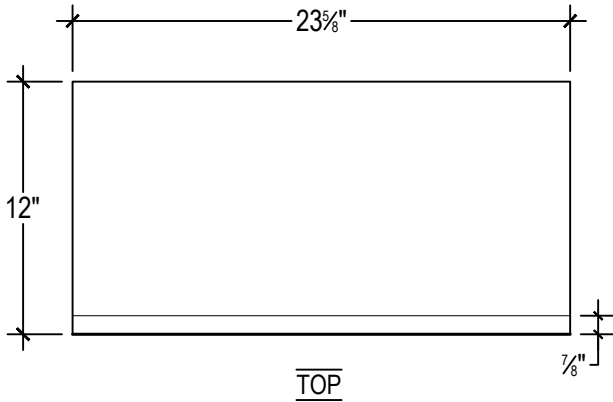


ROMAN POOL COPING



PIECE ID	QUANTITY
PCRN-S	

COLOR: _____

ICS TOLERANCE: ±.125

SHOP DRAWING(S) STATUS (CHECK ONE)

RESUBMIT FOR APPROVAL:

APPROVED W/ MODIFICATIONS:

APPROVED

SIGNATURE DATE

PRINTED NAME

DATE:

PROJECT:

CONTRACTOR:



650 W MARKET STREET
SPENCER, IN 47460

(812) 718 - CAST(2278)

jim@indianacaststone.com

www.indianacaststone.com

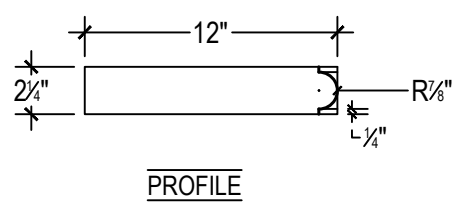
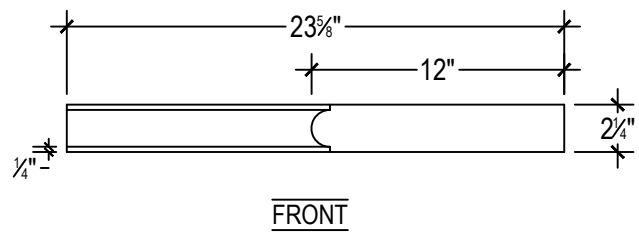
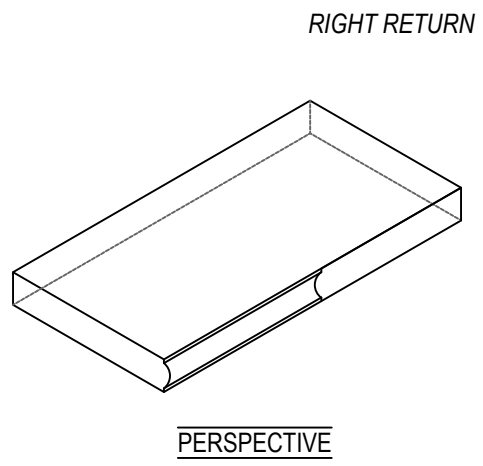
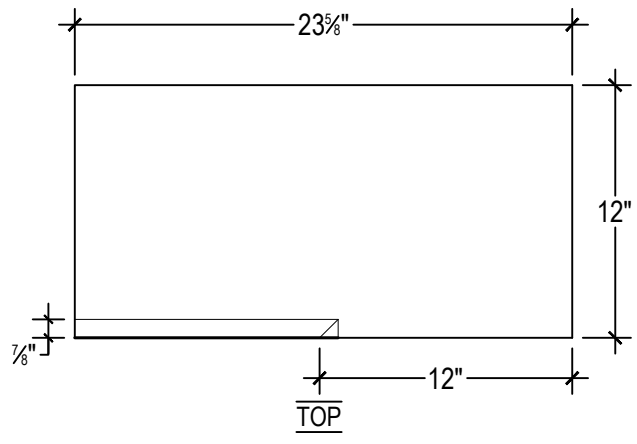
DRAWN BY: _____

CHECKED BY: _____

SHEET NO. _____

ICS
1 OF 1

ROMAN POOL COPING



PIECE ID	QUANTITY
PCRN-RR	

COLOR: _____

ICS TOLERANCE: ±.125

SHOP DRAWING(S) STATUS (CHECK ONE)

RESUBMIT FOR APPROVAL:

APPROVED W/ MODIFICATIONS:

APPROVED

SIGNATURE DATE

PRINTED NAME

DATE:

PROJECT:

CONTRACTOR:



650 W MARKET STREET
SPENCER, IN 47460

(812) 718 - CAST(2278)

jim@indianacaststone.com

www.indianacaststone.com

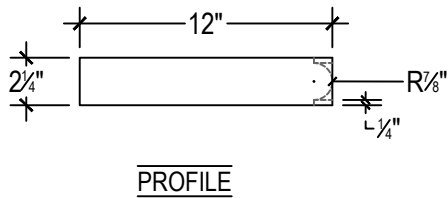
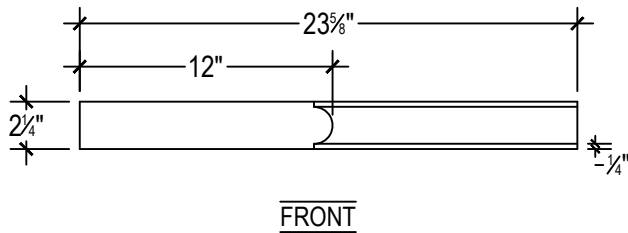
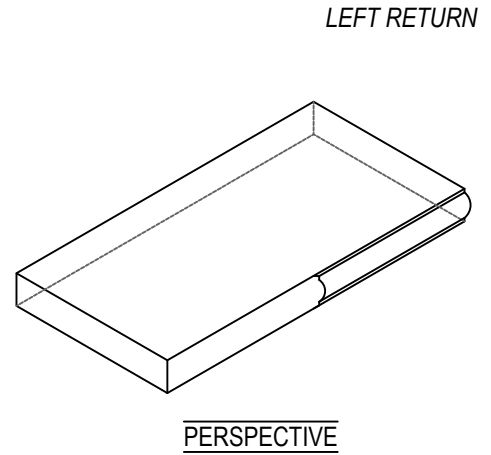
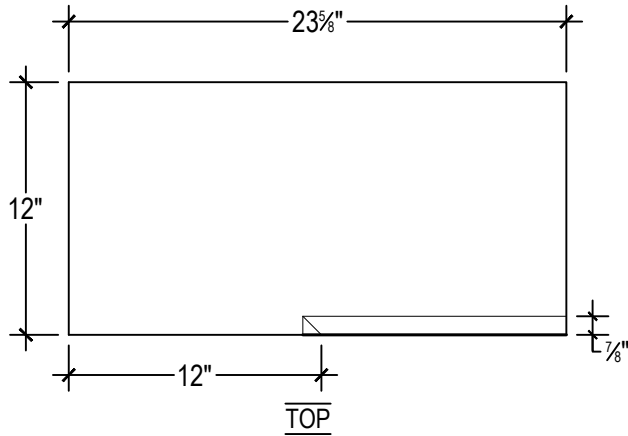
DRAWN BY: _____

CHECKED BY: _____

SHEET NO. _____

ICS
1 OF 1

ROMAN POOL COPING



PIECE ID	QUANTITY
PCRN-LR	

COLOR: _____

ICS TOLERANCE: ±.125

SHOP DRAWING(S) STATUS (CHECK ONE)

RESUBMIT FOR APPROVAL:

APPROVED W/ MODIFICATIONS:

APPROVED

SIGNATURE DATE

PRINTED NAME

DATE:

PROJECT:

CONTRACTOR:



650 W MARKET STREET
SPENCER, IN 47460

(812) 718 - CAST(2278)

jim@indianacaststone.com

www.indianacaststone.com

DRAWN BY:

CHECKED BY:

SHEET NO.

ICS

1 OF 1