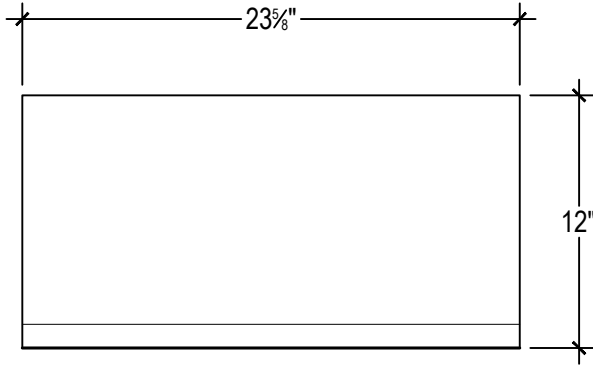
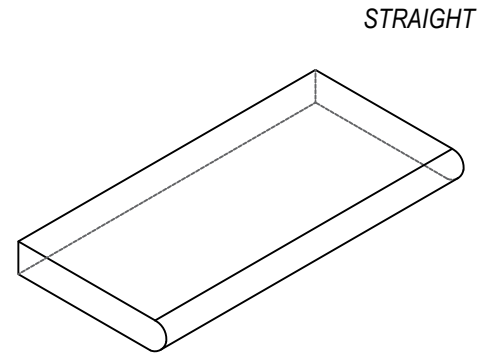


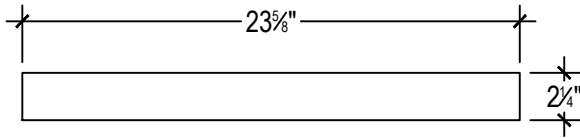
BULLNOSE POOL COPING



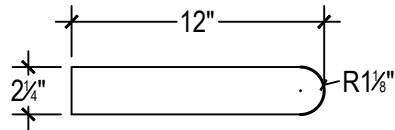
TOP



PERSPECTIVE



FRONT



PROFILE

| PIECE ID | QUANTITY |
|----------|----------|
| PCBN-S | |

COLOR: _____

ICS TOLERANCE: ±.125

SHOP DRAWING(S) STATUS (CHECK ONE)

RESUBMIT FOR APPROVAL:

APPROVED W/ MODIFICATIONS:

APPROVED

SIGNATURE

DATE

PRINTED NAME

DATE:

PROJECT:

CONTRACTOR:



650 W MARKET STREET
SPENCER, IN 47460

(812) 718 - CAST(2278)

jim@indianacaststone.com

www.indianacaststone.com

DRAWN BY:

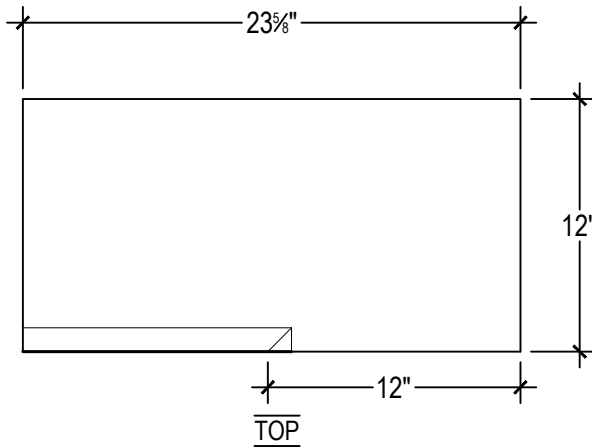
CHECKED BY:

SHEET NO.

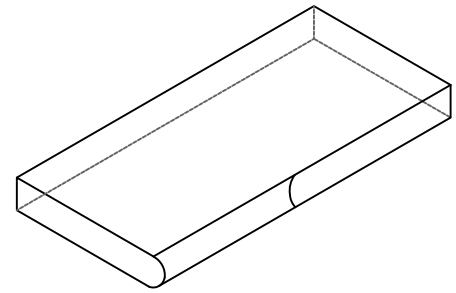
ICS

1 OF 1

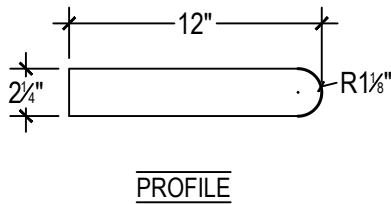
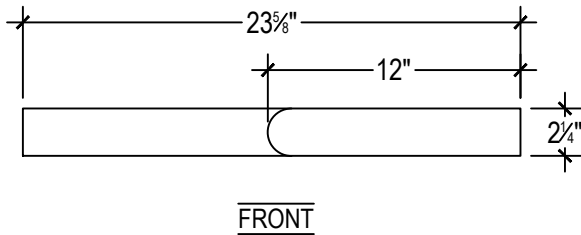
BULLNOSE POOL COPING



RIGHT RETURN



PERSPECTIVE



| PIECE ID | QUANTITY |
|----------|----------|
| PCBN-RR | |

COLOR: _____

ICS TOLERANCE: ±.125

SHOP DRAWING(S) STATUS (CHECK ONE)

RESUBMIT FOR APPROVAL:

APPROVED W/ MODIFICATIONS:

APPROVED

SIGNATURE

DATE

PRINTED NAME

DATE:

PROJECT:

CONTRACTOR:

INDIANA
CAST STONE

650 W MARKET STREET
SPENCER, IN 47460

(812) 718 - CAST(2278)

jim@indianacaststone.com

www.indianacaststone.com

DRAWN BY:

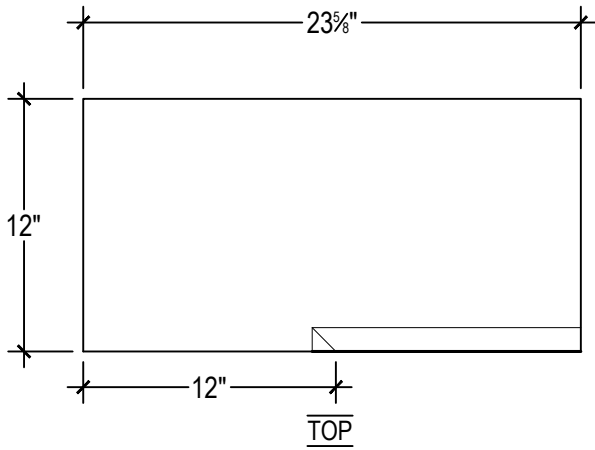
CHECKED BY:

SHEET NO.

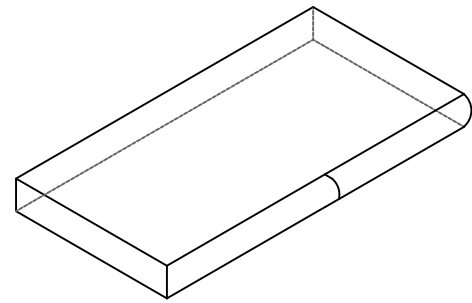
ICS

1 OF 1

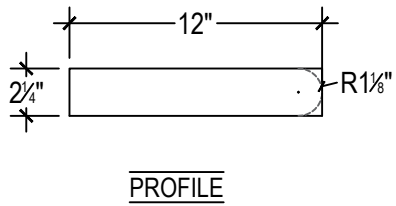
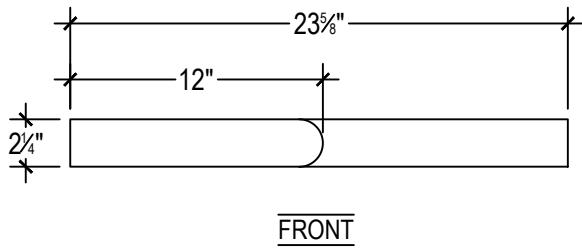
BULLNOSE POOL COPING



LEFT RETURN



PERSPECTIVE



| PIECE ID | QUANTITY |
|----------|----------|
| PCBN-LR | |

COLOR: _____

ICS TOLERANCE: ±.125

SHOP DRAWING(S) STATUS (CHECK ONE)

RESUBMIT FOR APPROVAL:

APPROVED W/ MODIFICATIONS:

APPROVED

SIGNATURE DATE

PRINTED NAME

DATE:

PROJECT:

CONTRACTOR:



650 W MARKET STREET
SPENCER, IN 47460

(812) 718 - CAST(2278)

jim@indianacaststone.com

www.indianacaststone.com

DRAWN BY:

CHECKED BY:

SHEET NO.

ICS

1 OF 1